

Planetary gear

# IMS.700 Drive LN

Our planetary gear from the Drive Series is customized for the special requirements of wheel drives. Due to its helical gearing it also meets increased demands on low noise performance.



**Low Noise (LN)**

Due to the use of helical gearing in the first stage particularly low noise.



**Maximum Power Density**

Little space and great performance - with our Drive Series this is no contradiction..



**Long Service Life**

Persistent and reliable: planetary gears that keep their promises.



**Compact Overall Length**

No space? No problem! The compact design of our Drive Series makes it possible.

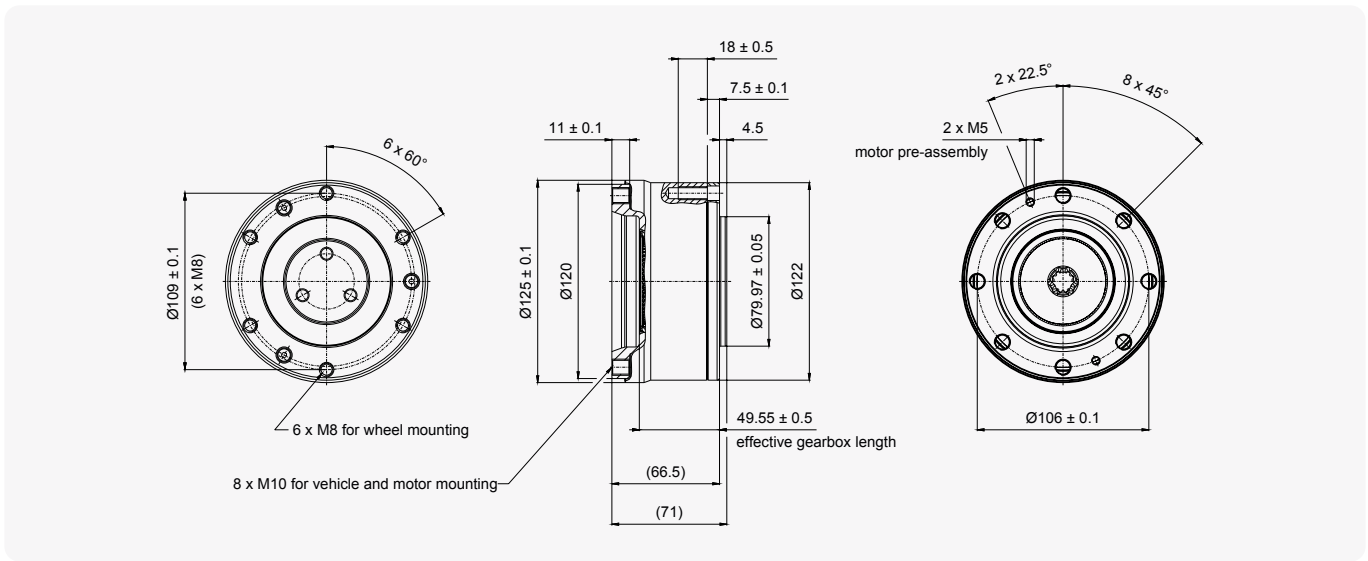


**Temperature**

Also ideally suited for demanding temperature ranges from -30° to +60°C.



Parameter	2-stage	Notes
<b>Reduction ratios</b>	23:1	Other ratios available on request
	28:1	
	34:1	
	45:1	
	58:1	
<b>Nominal Output Torque</b>	30 Nm	
<b>Acceleration Torque</b>	52 Nm	Time part 20 % during gearbox lifetime
<b>Emergency Stop Torque</b>	150 Nm	max. 50,000 cycles during gearbox lifetime
<b>Recommended wheel-Ø</b>	180 mm	Specification point of data sheet is wheel-Ø180mm
<b>Radial load capacity per drive</b>	330 kg	Weight to be moved max. 700 kg per drive
<b>Axial load per drive</b>	1,350 N	Time part 30 % during gearbox lifetime
<b>Nominal speed of vehicle</b>	1.5 m/s	Specification point of data sheet is wheel-Ø180mm
<b>Recomm. nominal initial speed</b>	3,000 1/min	
<b>Max. initial speed</b>	5,000 1/min	
<b>Protection class</b>	IP54	Higher protection classes available on request
<b>Weight</b>	2.5 kg	



All dimensions in millimeters [mm]

**All figures are approximate values.**

Variations are possible and may arise for example due to non-standardized inspection and measurement methods. For more detailed information, please contact us directly. The company always reserves the right to make technical modifications. For current status, please consult [www.imsgear.com](http://www.imsgear.com)