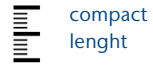
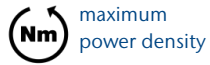
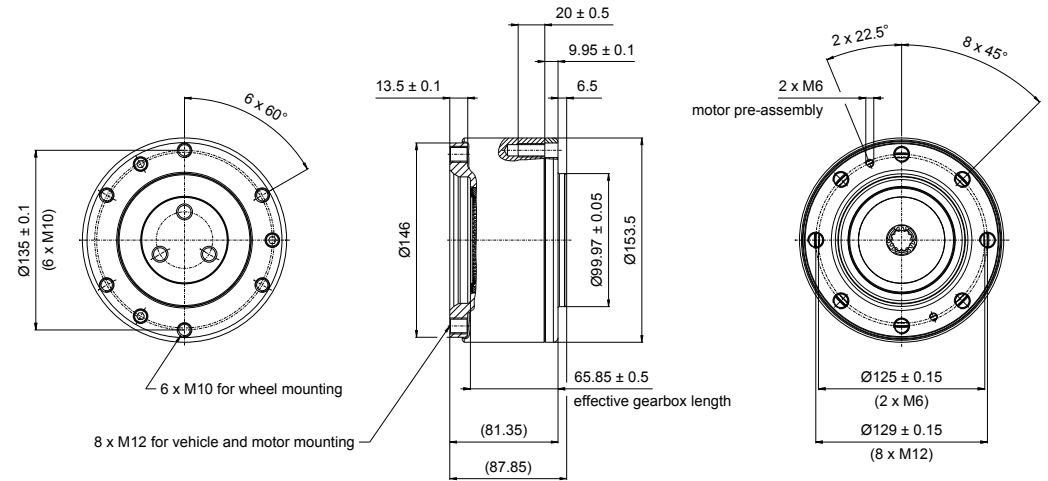


PM 105 C-LN | Wheel Drive



Parameter	2-stage	Notes
Reduction ratios	28:1 34:1 45:1 58:1	Other ratios available on request
Nominal Output Torque	55 Nm	
Acceleration Torque	100 Nm	Time part 20 % during gearbox lifetime
Emergency Stop Torque	250 Nm	max. 50,000 cycles during gearbox lifetime
Recommended wheel-Ø	200 mm	Specification point of data sheet is wheel-Ø200mm
Radial load capacity per drive	450 kg	Weight to be moved max. 1,000 kg per drive
Axial load per drive	1900 N	Time part 30 % during gearbox lifetime
Nominal speed of vehicle	1.5 m/s	Specification point of data sheet is wheel-Ø200mm
Recomm. nominal initial speed	3,000 1/min	
Max. initial speed	5,000 1/min	
Operation temperature	-30°bis +60° C	
Protection class	IP54	Higher protection classes available on request
Weight	10 kg	



All figures are approximate values.

Variations are possible and may arise for example due to non-standardized inspection and measurement methods. For more detailed information, please contact us directly. The company always reserves the right to make technical modifications. For current status, please consult www.imsgea.com