

Planetary gears

# IMS.1000 Drive LN

Our planetary gear from the Drive Series is customized for the special requirements of wheel drives. Due to its helical gearing it also meets increased demands on low noise performance.



**Compact Overall Length**

No space? No problem! The compact design of our Drive Series makes it possible.



**Long Service Life**

Persistent and reliable: planetary gears that keep their promises.



**Maximum Power Density**

Little space and great performance - with our Drive Series this is no contradiction.



**Temperature**

Also ideally suited for demanding temperature ranges from -30° to +60°C.

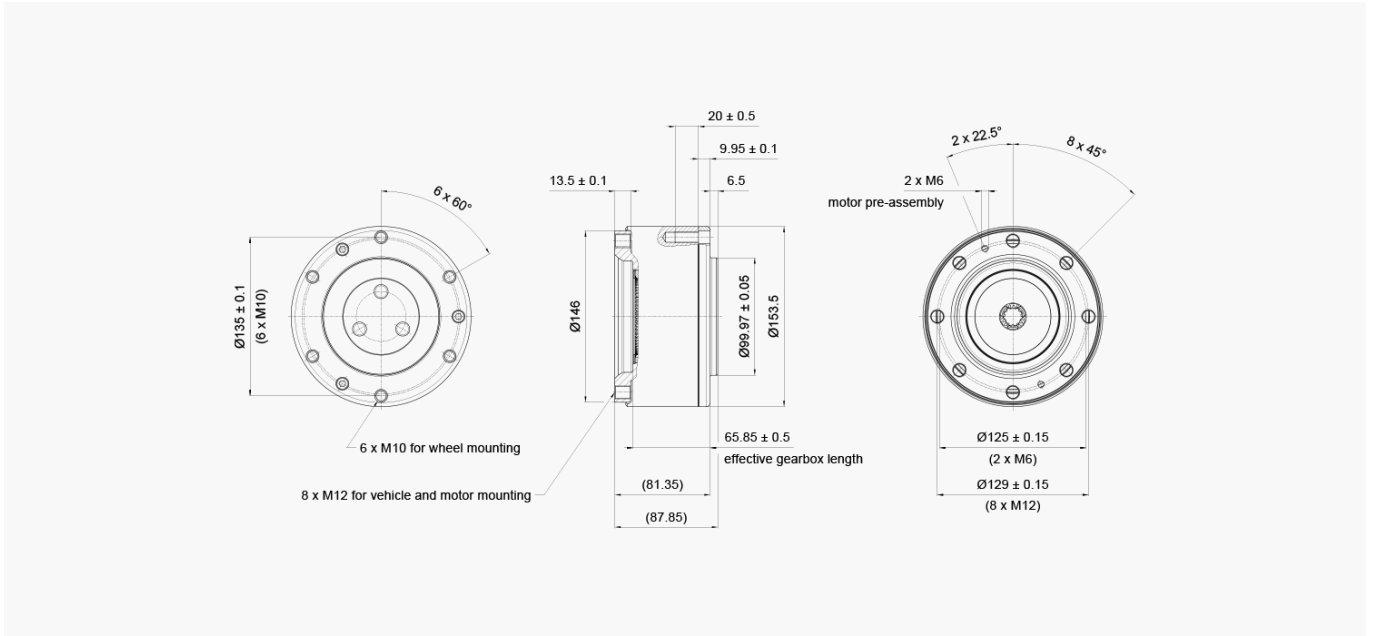


**Low Noise (LN)**

Due to the use of helical gearing in the first stage particularly low noise.



Parameter	2-stage	Notes
<b>Reductions</b>	28:1 34:1 45:1 58:1	Other ratios available on request
<b>Nominal Torque</b>	55 Nm	
<b>Acceleration torque</b>	100.0 Nm	Time part 20 % during gearbox lifetime
<b>Emergency stop torque</b>	250.0 Nm	max. 50,000 cycles during gearbox lifetime
<b>Recommended wheel Ø</b>	200 mm	Specification point of data sheet is wheel-Ø200mm
<b>Load capacity per drive</b>	450 kg	Weight to be moved max. 1000 kg per drive
<b>Axial force</b>	1,900,0 N	Time part 30 % during gearbox lifetime
<b>Nominal speed vehicle</b>	1,5 m/s	Specification point of data sheet is wheel-Ø200mm
<b>Recommended input speed</b>	3.000 rpm	
<b>Max. Input speed</b>	5.000 rpm	
<b>Protection class</b>	IP54	Higher protection classes available on request
<b>Weight</b>	10 kg	



All dimensions in millimetres [mm]

All data in this brochure are approximates

Deviations are possible and are due, for example, to non-standardized testing and measuring methods. Please contact us directly for detailed information. We reserve the right to make technical changes without prior notice. Please refer to our website [www.imsgea.com](http://www.imsgea.com) for the current status.