

Planetary gears

IMS.100 Drive LN

Our planetary gear from the Drive Series is customized for the special requirements of wheel drives. Due to its helical gearing it also meets increased demands on low noise performance.



Low Noise (LN)

Due to the use of helical gearing in the first stage particularly low noise.



Compact Overall Length

No space? No problem! The compact design of our Drive Series makes it possible.



Long Service Life

Persistent and reliable: planetary gears that keep their promises.



Maximum Power Density

Little space and great performance - with our Drive Series this is no contradiction.

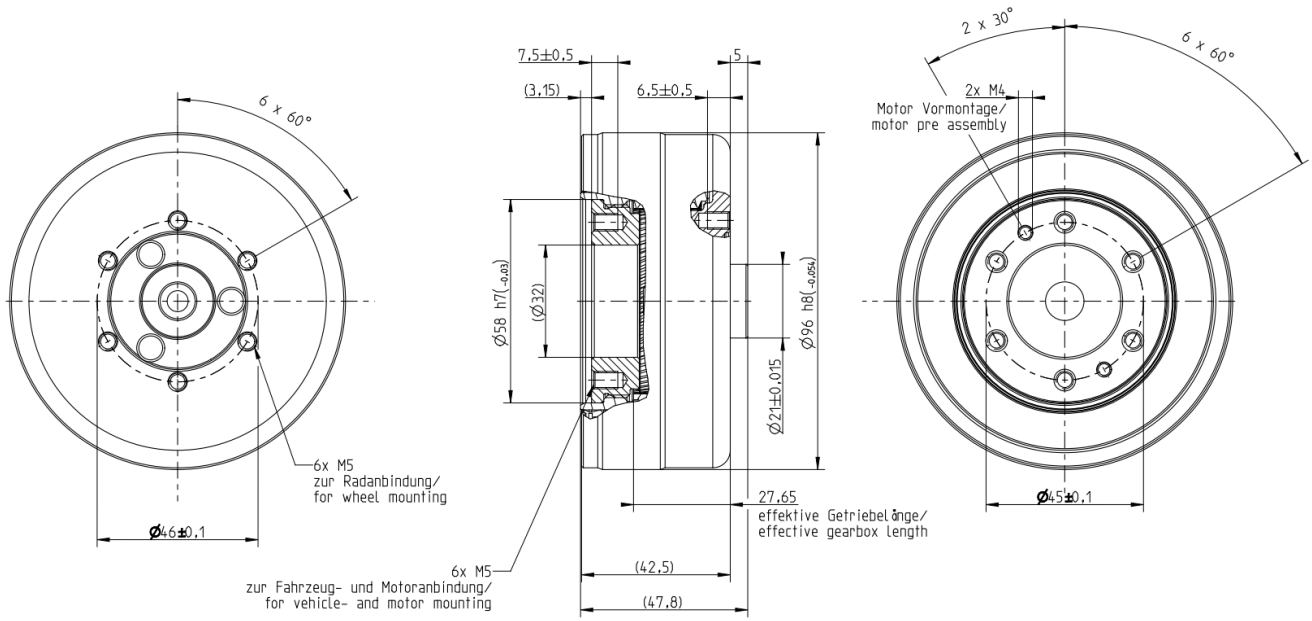


Temperature

Also ideally suited for demanding temperature ranges from -30° to +60°C.



Parameter	2-stage	Notes
Reductions	9:1 (8,63)	
Nominal Torque	4 Nm	
Acceleration torque	16.0 Nm	Time part 20 % during gearbox lifetime
Emergency stop torque	34.0 Nm	max. 50,000 cycles during gearbox lifetime
Recommended wheel Ø	140 mm	Specification point of data sheet is wheel-Ø140mm
Load capacity per drive	100 kg	Weight to be moved max. 100 kg per drive
Axial force	280,0 N	Time part 30 % during gearbox lifetime
Nominal speed vehicle	3,0 m/s	Specification point of data sheet is wheel-Ø140mm
Max. Input speed	5.000 rpm	
Protection class	IP54	Higher protection classes available on request
Weight	1.7 kg	



All dimensions in millimetres [mm]

All data in this brochure are approximates

Deviations are possible and are due, for example, to non-standardized testing and measuring methods. Please contact us directly for detailed information. We reserve the right to make technical changes without prior notice. Please refer to our website www.imsgear.com for the current status.